

## CUSTOM PRODUCTION WORKSHEET

**IMPORTANT INFORMATION!** Look this over carefully! Double check all measurements! This is a custom order and cannot be changed, revised or canceled once placed into production. Please write all measurements in inches. Fill this form out completely and add any additional notes to the bottom of this sheet. Item will be made to match this sheet per your specifications.

### Floor Border Wedges

**CUT - SPEC SHEET**

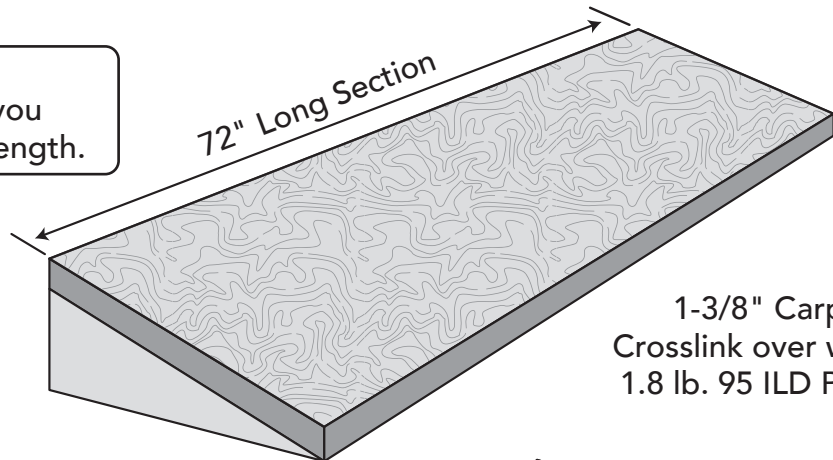
Model# FX-118

Description: Floor Border Wedge

QTY

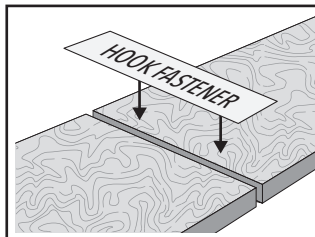
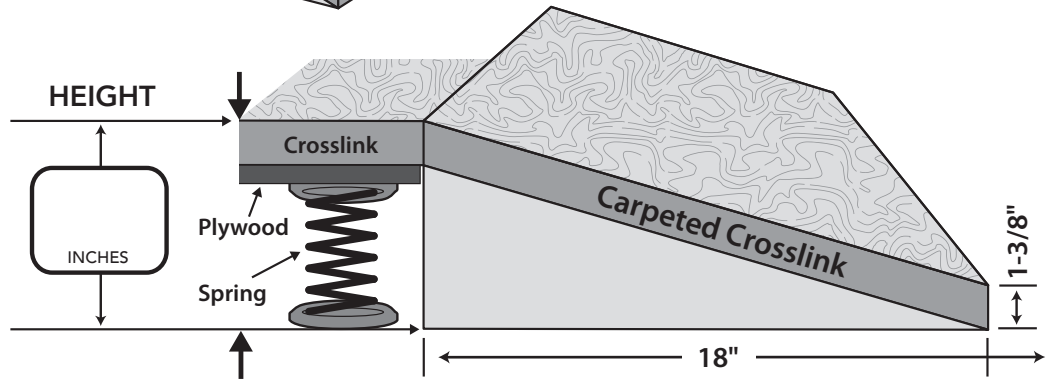
- Enter quantity
- Enter sizes (inches only)
- Enter carpet color
- Enter name, signature, date and email or fax to (310) 830-6675

**NOTE**  
Contact us if you need a custom length.



1-3/8" Carpeted Crosslink over wedge of 1.8 lb. 95 ILD Polyfoam.

**IMPORTANT**  
Enter **EXACT** height of your spring floor, from gym floor to the top carpet surface of your springfloor.



**IMPORTANT INFORMATION ABOUT HOOK FASTENERS**

One 4" x 18" strip of hook fastener is included per section ordered for connecting Floor Border Wedges side by side. Hook fastener for attaching Floor Border Wedges to floor surface is sold separately and is **NOT** included. Please contact your sales representative if you would like to add additional hook fastener to your order.

<p><b>Carpet Color</b> Choose One</p> <p><input type="checkbox"/> Royal Blue</p> <p><input type="checkbox"/> Black</p>	<p>Print Your Name _____ Business/Gym _____</p> <p>Signature _____ Date _____</p> <p><input checked="" type="checkbox"/> By signing, customer accepts responsibility for the accuracy of the measurements noted on this form. This item may not be returned if correctly provided to customers specification.</p>	<p><b>CPW048</b></p>
--	---	----------------------

**Notes**